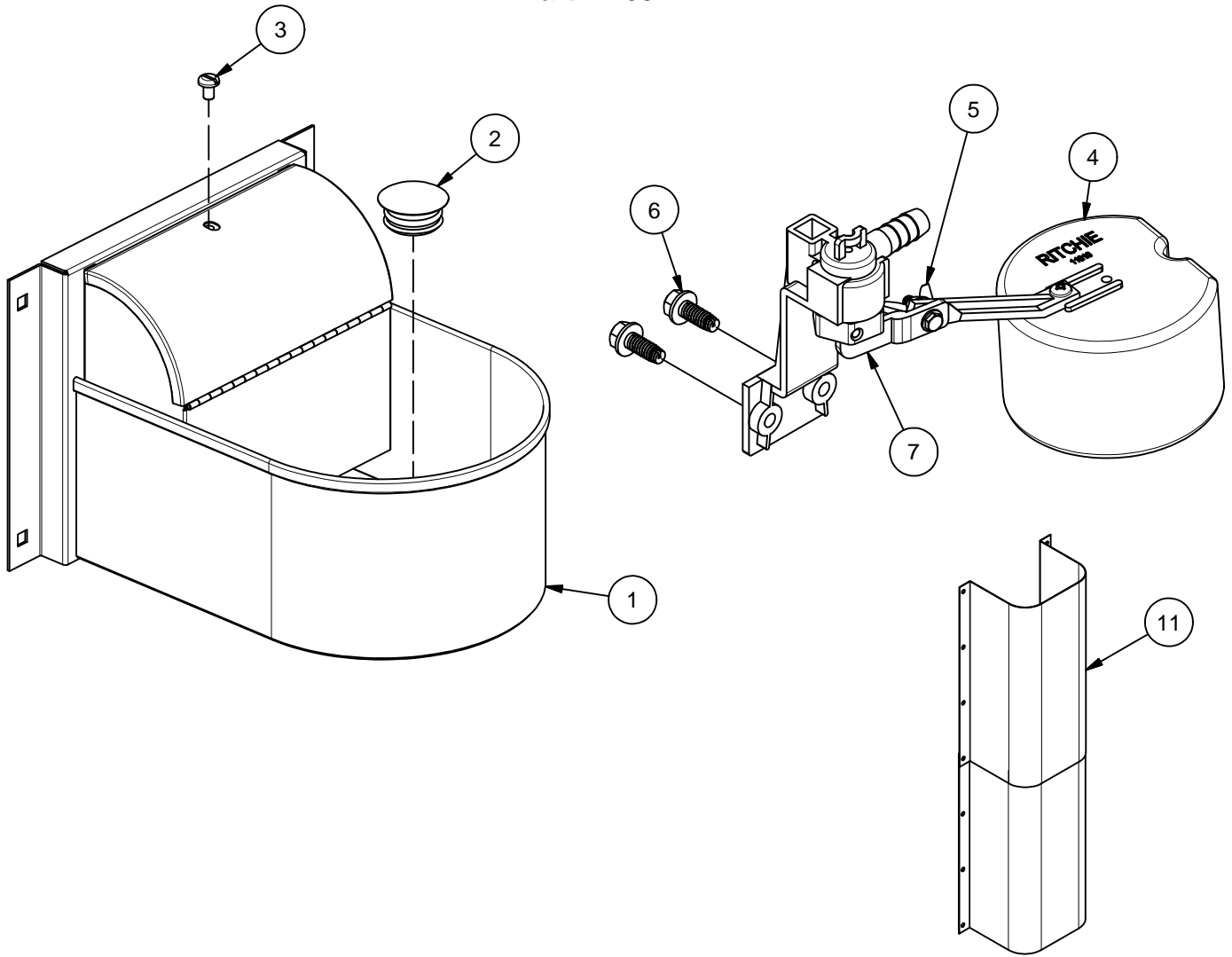


# StallFount

Part # 16871



Item	Part #	Description	Qty	Item	Part #	Description	Qty
1	16877	SF Trough Complete	1	6	11515	Valve Bracket w/ screw pkg	1 pkg
2	18221	SF Trough Plug	1	7	13597	Green Valve 1/2" pkg	1 pkg
3	18080	SF Cover Screw	1 pkg	8	18092	Shroud Set Optional.	1 pkg
4	13613	Float with Short Arm pkg	1 pkg	NS	15930	Hose Clamp 7/8" SS (5/pkg)	1 pkg
5	12576	Screw, Star Wshr & Wingnut pkg	1 pkg	NS	18325	SF Accessory pkg	1 pkg

## Installation Variations

A stainless steel shroud may be purchased to protect the waterline between the floor and the Ritchie Stall Fount. Part number 18092 includes two sections of shroud, 19 <sup>3</sup>/<sub>4</sub> inches long. This part is not required for the non-electric Stall Fount.

**Installing the shroud** - After the plumbing connections are made, install the optional shroud using 1/4" lag screws or bolts. When more than one section of shroud is used, the total length of the shroud can be adjusted in 6" increments by removing insulation as needed and moving top shroud down to align next set of holes.