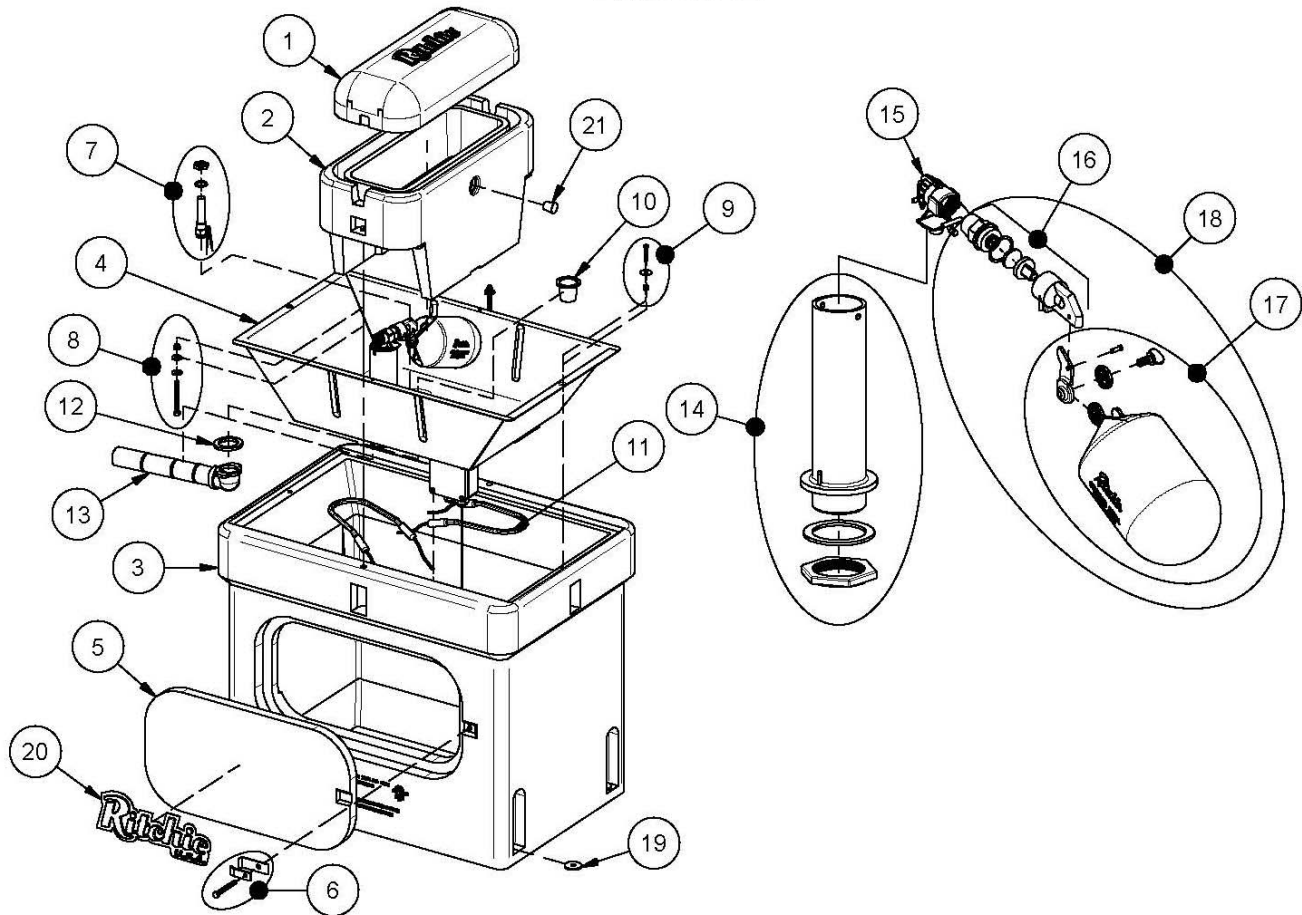


OmniFount 3

Part # 18270



Item	Part #	Description	Qty	Item	Part #	Description	Qty
1	18418	Omni 3 Cover	1	15	11514	Valve Bracket 3/4" pkg	1 pkg
2	18345	Omni 3 Frame pkg	1 pkg	16	15377	Green Male Valve 3/4" pkg	1 pkg
	18346	Omni 3 Cover & Frame pkg	1 pkg	17	18314	Float with Hardware pkg	1 pkg
3	18272	Omni 3 Casing	1		18313	Hardware for Float pkg	1 pkg
4	18342	Omni 3 Trough	1 pkg	18	16993	Green Valve & Float pkg	1 pkg
5	16562	Access Panel 10"x20"	1	19	18318	Bolt Down Washer (4/pkg)	2 pkg
6	18147	Access Panel Hardware pkg	1 pkg	20	18653	Ritchie Decal 12" (1/pkg)	1 pkg
7	16534	Fenwal Thermostat SS pkg	1 pkg	21	18633	Plug #3 - Water Channel (2/pkg)	1 pkg
	18320	O-Ring Fenwal (6/pkg)	1 pkg	NS	12583	Valve Supply Line pkg	1 pkg
	18074	Nut Brass Fenwal (6/pkg)	1 pkg	NS	13830	Cable Htr 120V 48W (1/pkg)	1 pkg
8	18319	Frame Bolt & Wshr SS(2/pkg)	1 pkg	NS	16554	Omni 3 Accessory pkg	1 pkg
9	18095	Trough Screw & Nut SS (2/pkg)	1 pkg	NS	16523	Seal Foam 1/4"x3/4"x25' Roll	1
10	18628	Drain Plug (2/pkg)	1 pkg	NS	14866	Seal Foam 1/2"x3/4"x10' Roll	1
11	11419	Heater 120V 250W (1/pkg)	2 pkg				
12	18075	Drain Washer (6/pkg)	1 pkg		18273	OMNI 3 240V	
13	11472	Drain Pipe with Elbow	1	NS	11403	Heater 240V 300W (1/pkg)	2 pkg
14	16629	Standpipe pkg	1 pkg	NS	16424	Cable Htr 240V 48W (1/pkg)	1 pkg