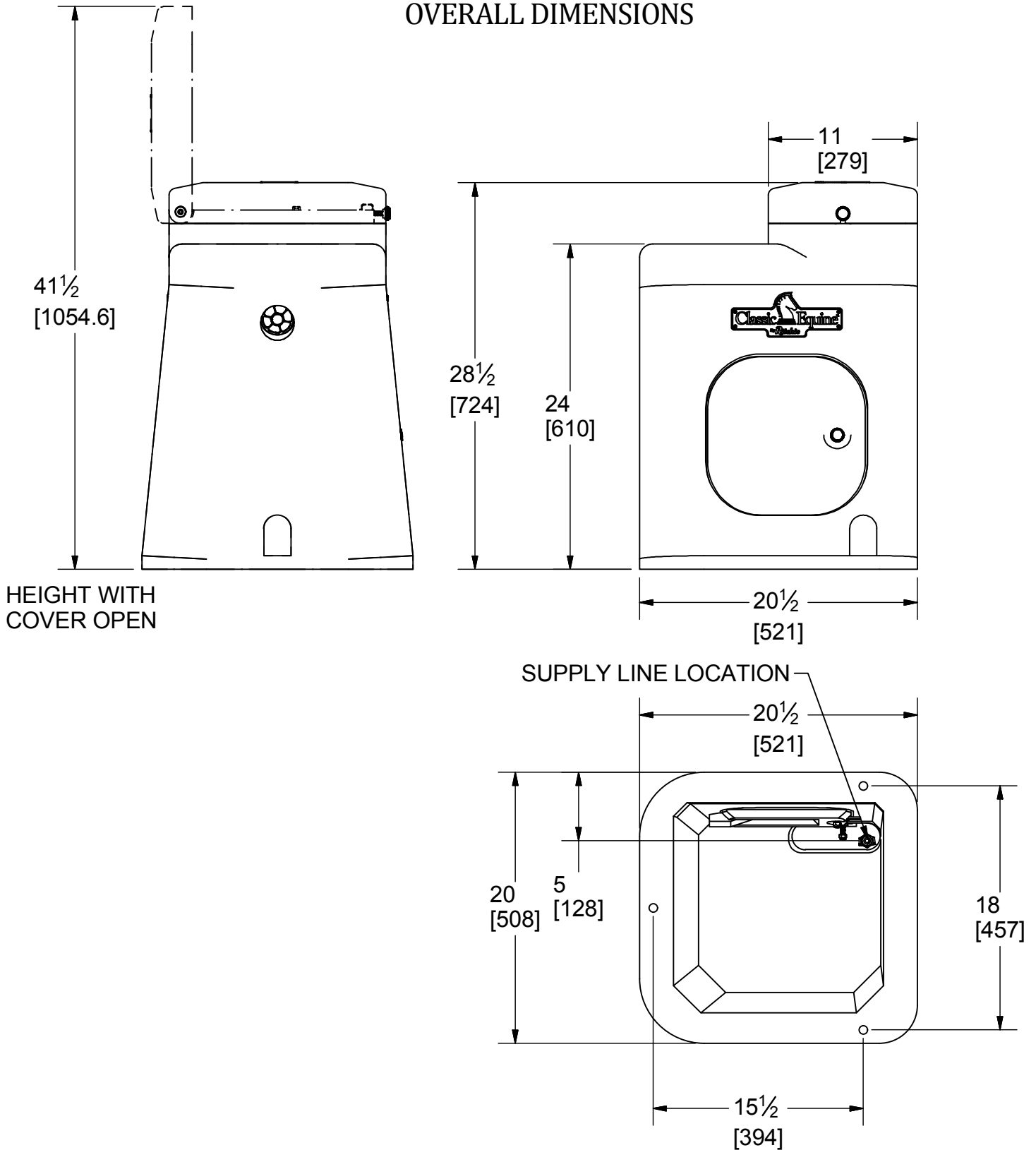


# AUTOFOUNT 1

## OVERALL DIMENSIONS



NOTE:  
MOUNTING HOLE LOCATIONS ARE APPROXIMATE. DUE TO VARIATIONS IN MOLDING PROCESS IT IS NOT RECOMMENDED TO USE THIS DRAWING FOR CONCRETE ANCHOR LOCATIONS. IT IS RECOMMENDED TO WAIT UNTIL UNIT IS AVAILABLE FOR MEASUREMENT.

5/14/2015  
18770\_DIMS.dwg  
EDS - Sheet: 1 of 1