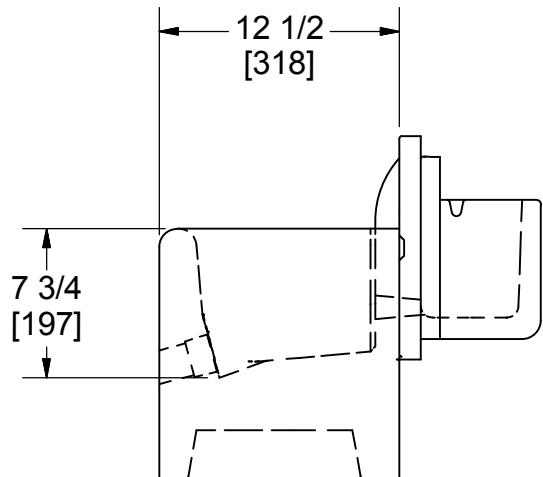
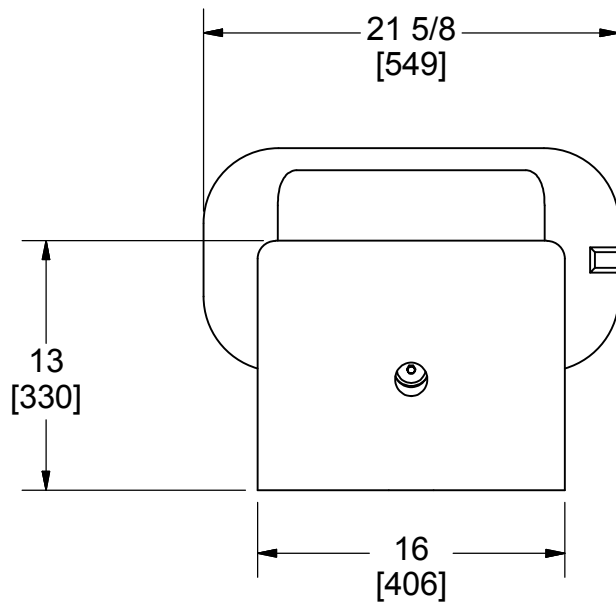
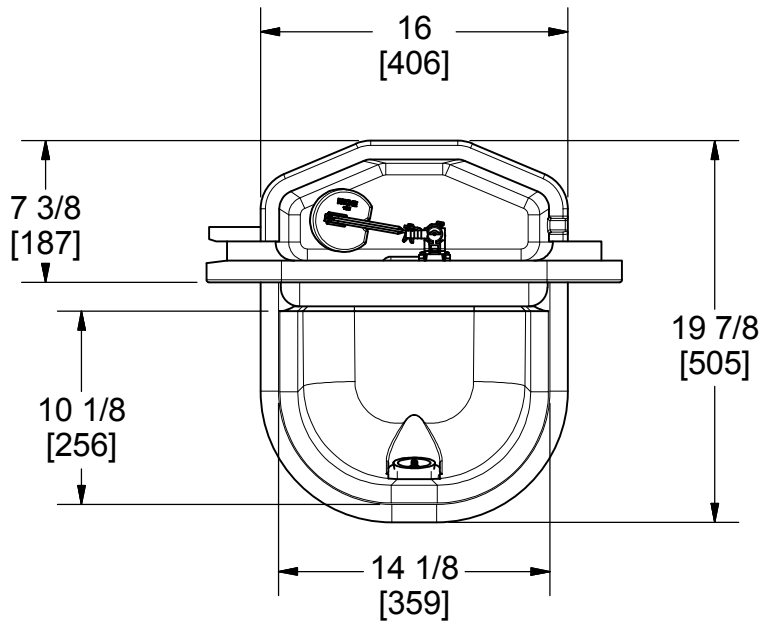


# Omni Combination Conversion

## OVERALL DIMENSIONS



**NOTE:**

THIS PRODUCT IS USED IN CONJUNCTION WITH AN OMNI 5 OR OMNI 10 UNIT. IT TAKES THE PLACE OF THE CURRENT ACCESS PANEL TO PROVIDE A DRINK AREA FOR SMALLER ANIMALS.