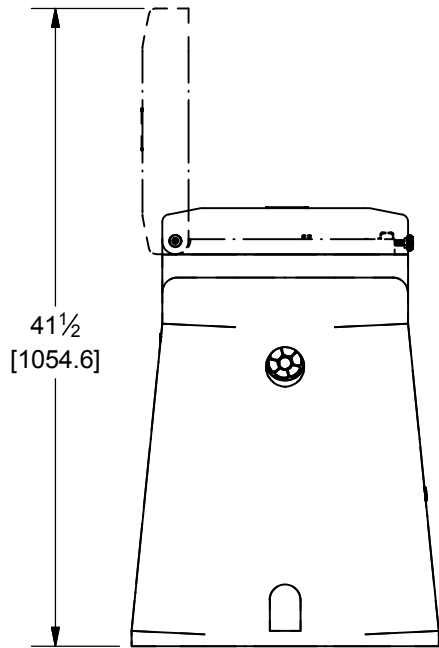
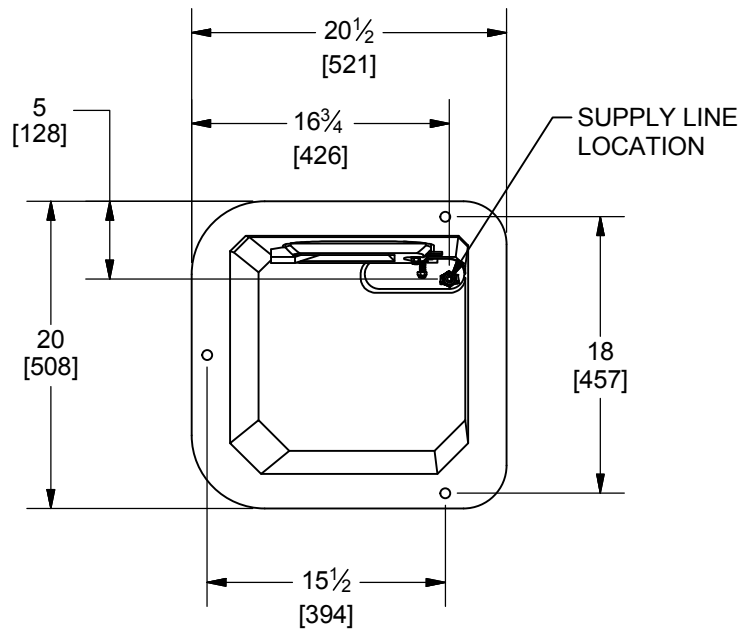
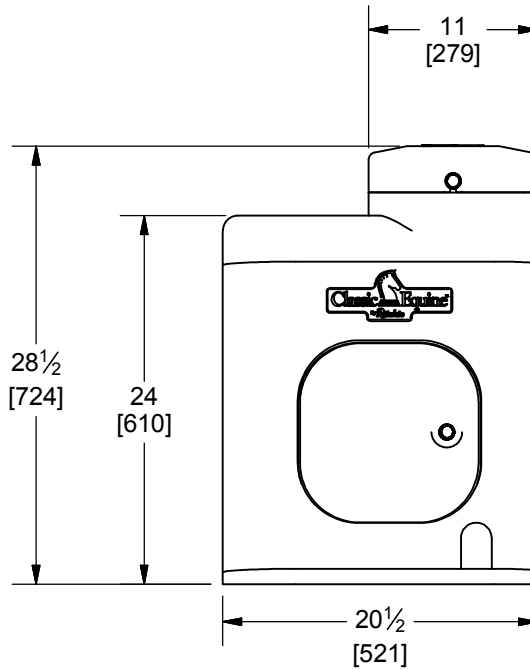


AUTO FOUNT 1

OVERALL DIMENSIONS



HEIGHT WITH
COVER OPEN



NOTE:

MOUNTING HOLE LOCATIONS ARE APPROXIMATE. DUE TO VARIATIONS IN MOLDING PROCESS IT IS NOT RECOMMENDED TO USE THIS DRAWING FOR CONCRETE ANCHOR LOCATIONS. IT IS RECOMMENDED TO WAIT UNTIL UNIT IS AVAILABLE FOR MEASUREMENT.

12/9/2018
18770_DIMS.dwg
TDU - Sheet: 1 of 1