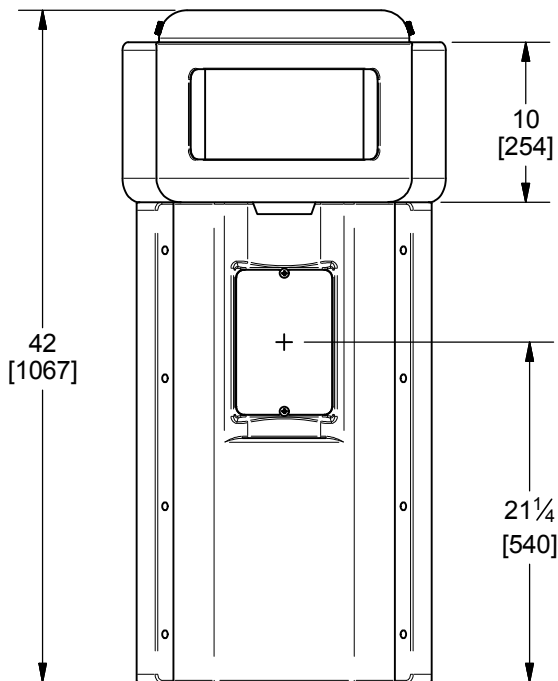
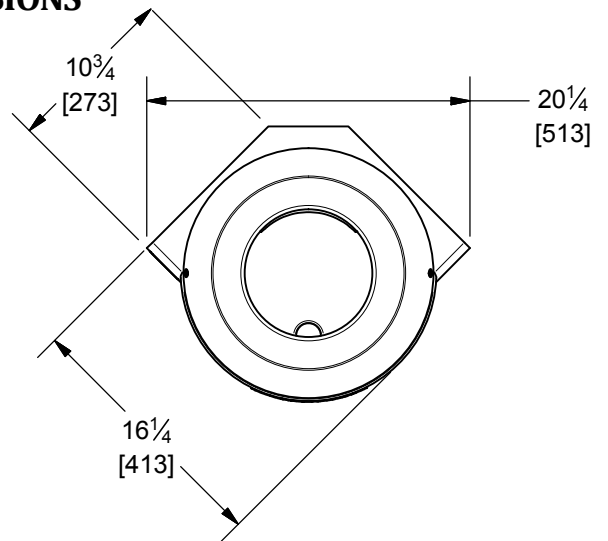
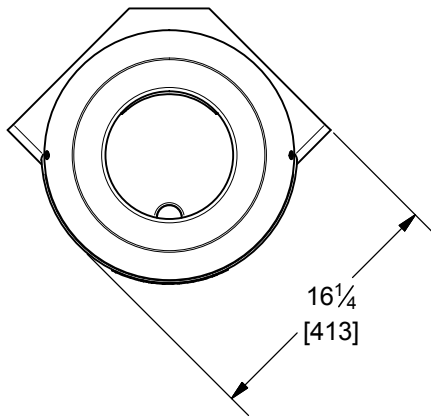
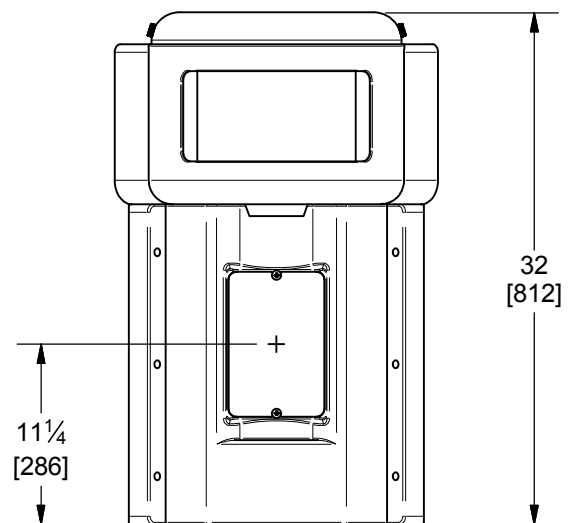


EQUINE STALLFOUNT CORNER MOUNT

OVERALL DIMENSIONS



WITH 30" SHROUD



WITH 20" SHROUD

NOTE:

MOUNTING HOLE LOCATIONS ARE APPROXIMATE. DUE TO VARIATIONS IN MOLDING PROCESS IT IS NOT RECOMMENDED TO USE THIS DRAWING FOR LOCATING WALL ANCHORS. IT IS RECOMMENDED TO WAIT UNTIL UNIT IS AVAILABLE FOR MEASUREMENT.