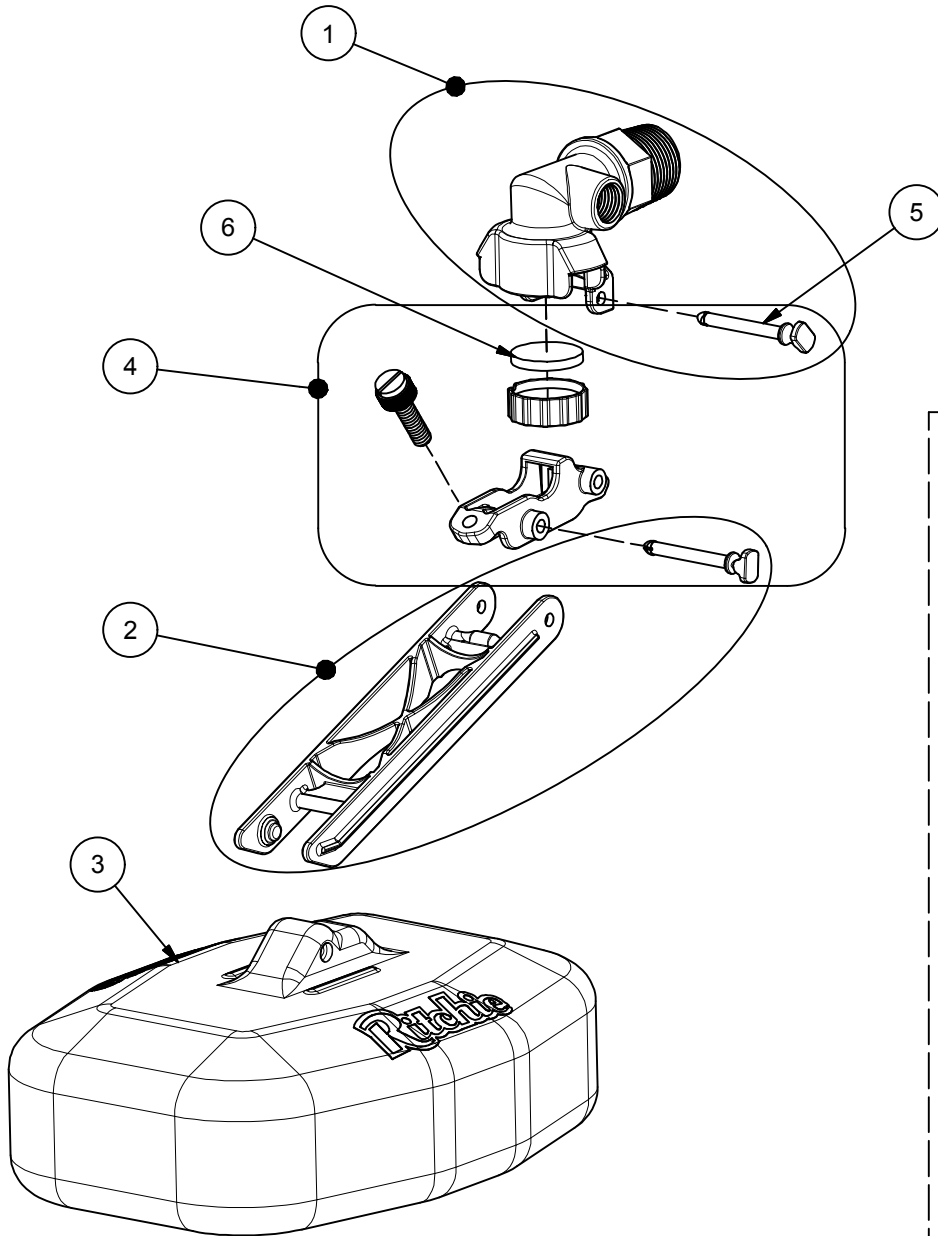


# Ritchie High Pressure 3/4" Valve

Part # 18832



\*Optional Accessories  
\*\*Not included with 18832

Pet Cock Valve for use in Constant Flow units and units with a trainer tube.

HP Bracket for use with CT, Watermatic, and WaterMaster Units that use the 3/4" valve.

Item	Part #	Description	Qty	Item	Part #	Description	Qty
1	18833	HP Valve Body pkg	1 pkg	6	15152	3/4" Valve Rubber pkg 10/pkg	1 pkg
2	18834	HP Float Arm pkg	1 pkg			OPTIONAL ACCESSORIES	
3	18835	HP Float pkg	1 pkg			Not Included with 18832 pkg	
4	18836	HP Internal Parts pkg	1 pkg	7	18838	HP Bracket Assy pkg	1 pkg
5	18837	HP Valve Pin pkg 4/pkg	1 pkg	8	18839	Pet Cock Valve pkg	1 pkg