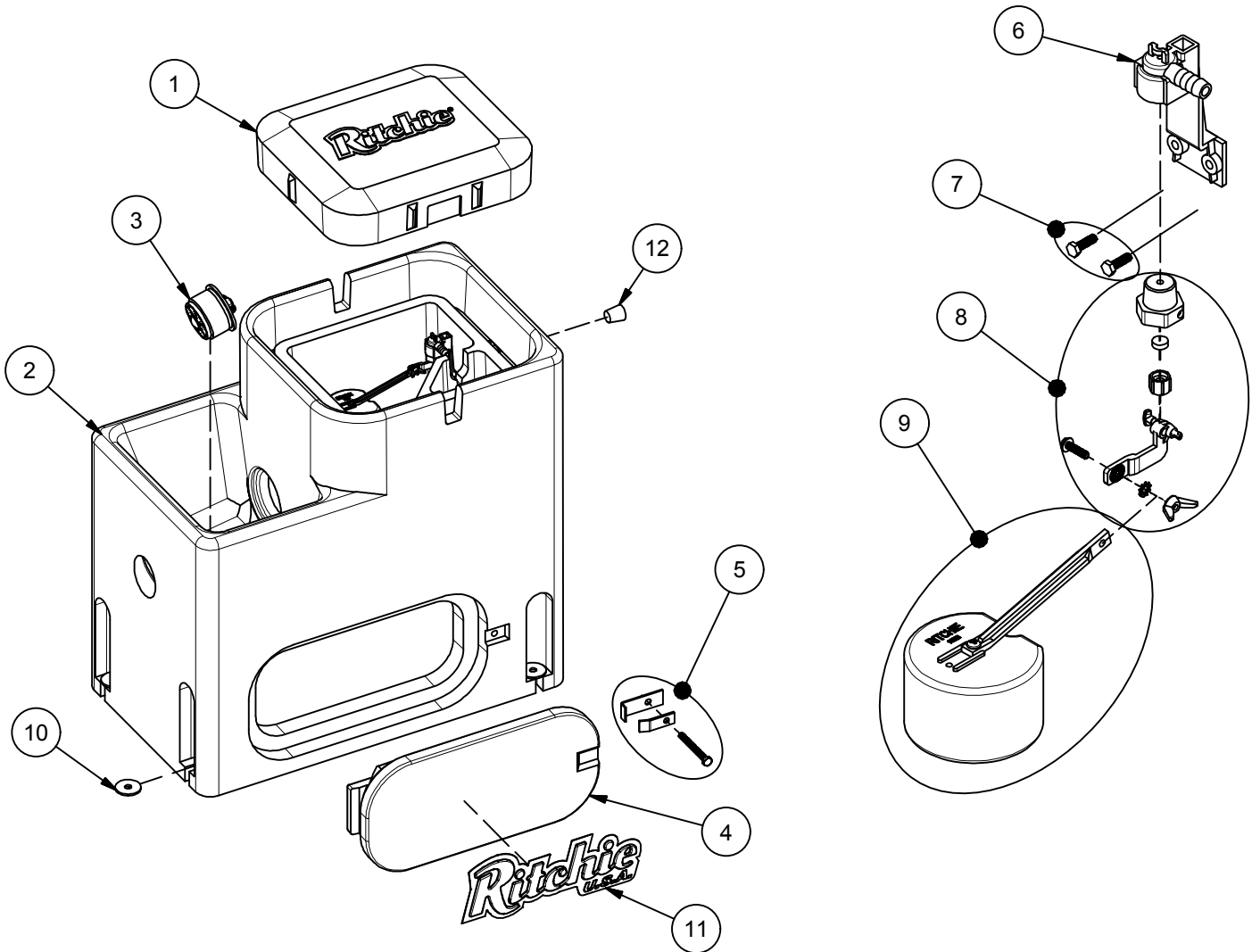


WaterMatic 100 GREEN

Part # 18574



| Item | Part # | Description | Qty | Item | Part # | Description | Qty |
|------|--------|--------------------------------|-------|------|--------|---------------------------------|-------|
| 1 | 18575 | WaterMatic 100/150 Cover Green | 1 | 9 | 12836 | Float with Long Arm pkg | 1 pkg |
| 2 | 18573 | WaterMatic 100 Base Green | 1 | 10 | 18318 | Bolt Down Washer (4/pkg) | 1 pkg |
| 3 | 18470 | Drain Plug Ritchie 3" | 1 pkg | 11 | 18653 | Ritchie Label 12" (1/pkg) | 1 pkg |
| 4 | 18502 | Access Panel 6"x14" Green | 1 | 12 | 18633 | Plug #3 - Water Channel (2/pkg) | 1 pkg |
| 5 | 18147 | Access Panel Hardware pkg | 1 pkg | NS | 14866 | Seal Foam 10' Roll | 1 |
| 6 | 11515 | Valve Bracket w/ screw pkg | 1 pkg | NS | 15930 | Hose Clamp 7/8" SS (5/pkg) | 1 pkg |
| 7 | 18066 | Screw Valve Mount (6/pkg) | 1 pkg | NS | 18613 | Adapter 1/2" x 3/8" HB | 1 pkg |
| 8 | 12575 | Red Valve 1/2" pkg | 1 pkg | NS | 18174 | WMatic 100 Accessory pkg | 1 pkg |