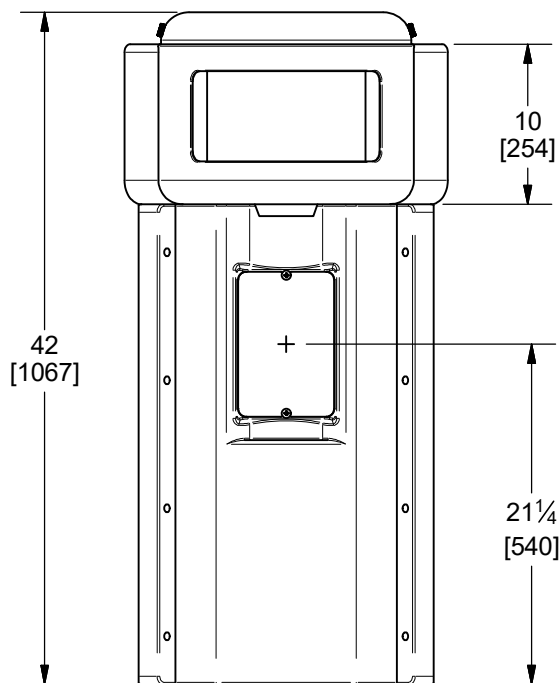
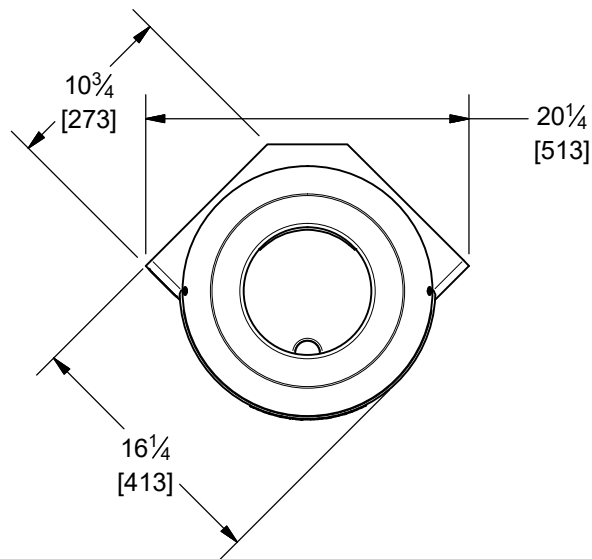
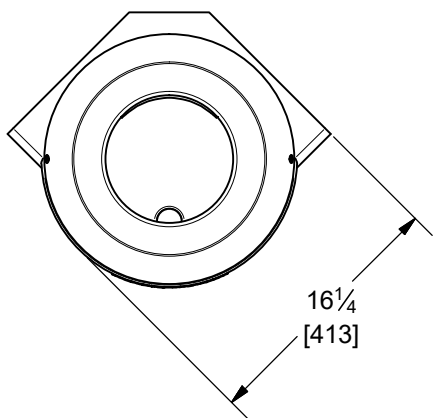
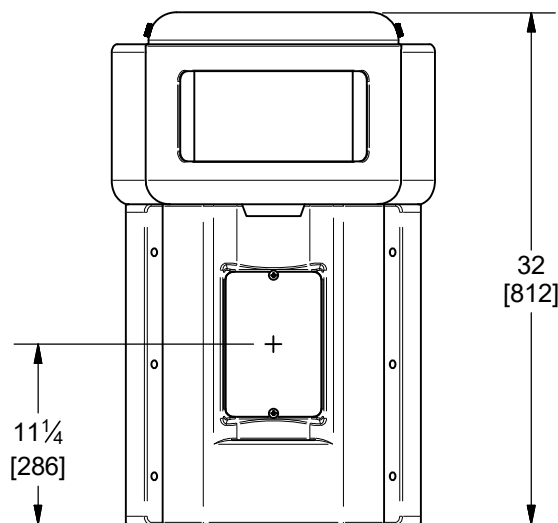


# EQUINE STALLFOUNT CORNER MOUNT OVERALL DIMENSIONS



WITH 30" SHROUD



WITH 20" SHROUD

**NOTE:**

MOUNTING HOLE LOCATIONS ARE APPROXIMATE. DUE TO VARIATIONS IN MOLDING PROCESS IT IS NOT RECOMMENDED TO USE THIS DRAWING FOR LOCATING WALL ANCHORS. IT IS RECOMMENDED TO WAIT UNTIL UNIT IS AVAILABLE FOR MEASUREMENT.