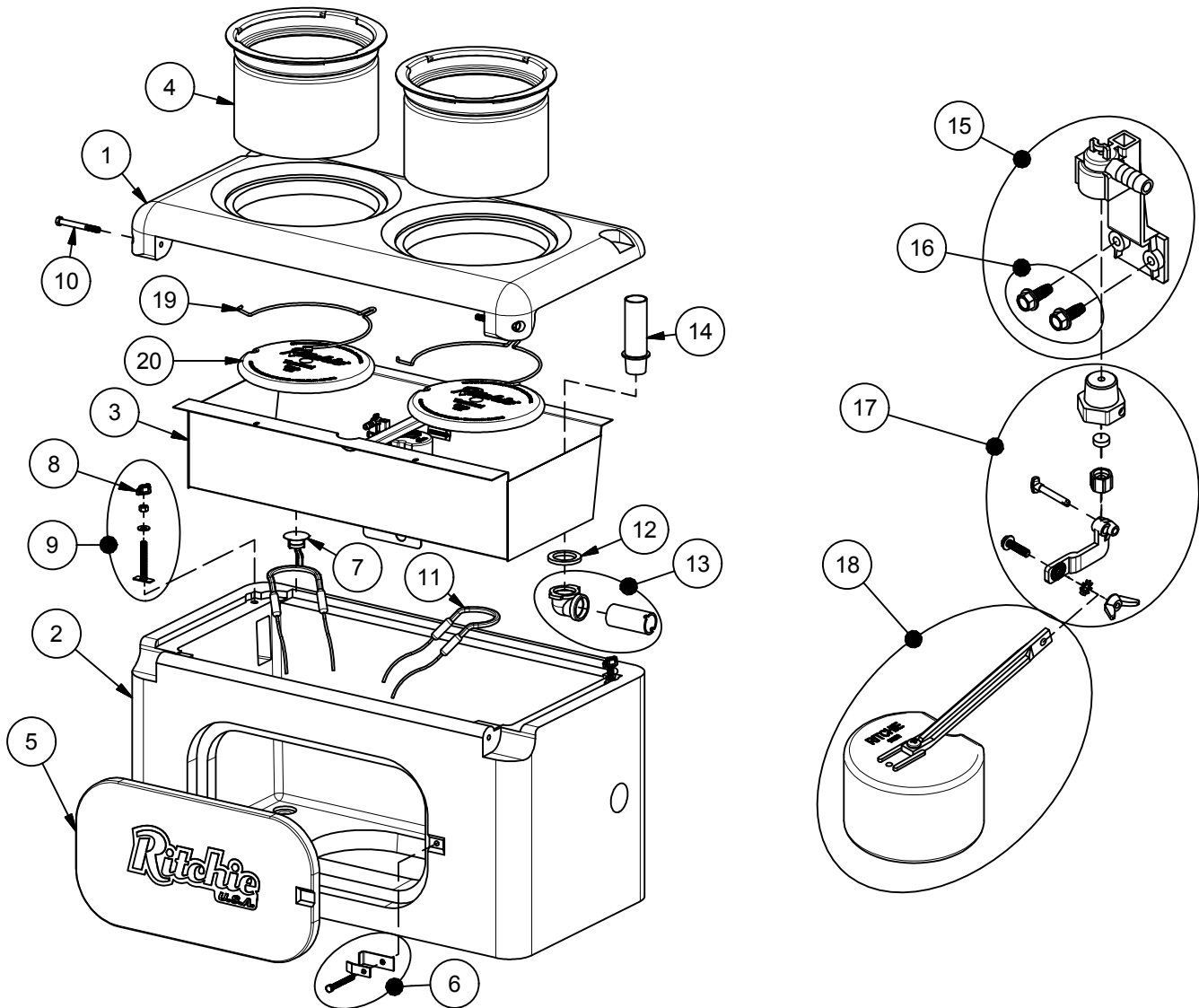


EcoFount 2

Part # 18440



| Item | Part # | Description | Qty | Item | Part # | Description | Qty |
|------|--------|--------------------------------|-------|------|--------|---------------------------------|-------|
| 1 | 18444 | EcoFount 2 Top | 1 | 15 | 11515 | Valve Bracket 1/2" w/ Scrws pkg | 1 pkg |
| 2 | 18446 | EcoFount 2 Casing | 1 | 16 | 15154 | Screws Valve Bracket (10/ pkg) | 1 pkg |
| 3 | 18438 | EcoFount 2 Trough | 1 pkg | 17 | 12575 | Red Valve 1/2" pkg | 1 pkg |
| 4 | 18447 | EcoFount Drinkwell W/ Ring pkg | 2 pkg | 18 | 12836 | Float with Long Arm pkg | 1 pkg |
| 5 | 16562 | Access Panel 10" x 20" | 1 | 19 | 17963 | Retaining Ring SS | 2 |
| 6 | 18147 | Access Panel Hardware pkg | 1 pkg | 20 | 14412 | Thermal Cap | 2 |
| 7 | 11885 | Disc Thermostat pkg | 1 pkg | NS | 18318 | Bolt Down Washer (4/pkg) | 1 pkg |
| 8 | 18451 | Wing Nut 3/8" Nylon (4/pkg) | 1 pkg | NS | 13830 | Cable Htr 120V 48W (1/pkg) | 1 pkg |
| 9 | 18448 | T-Bolt w/ Wingnut 3/8" pkg | 2 pkg | NS | 18429 | EcoFount 2 Accessory pkg | 1 pkg |
| 10 | 18452 | Bolt 3/8"x3" SS (2/pkg) | 1 pkg | NS | 14866 | Seal Foam 1/2"x3/4"x10' Roll | 1 |
| 11 | 14150 | Heater 120V 125W (1/pkg) | 2 pkg | | | | |
| 12 | 18075 | Drain Washer (6/pkg) | 1 pkg | | 18441 | EcoFount 2 240V | |
| 13 | 18790 | Drain Pipe with Elbow | 1 | NS | 16664 | Heater 240V 200W (1/pkg) | 2 pkg |
| 14 | 14647 | Drain Plug Overflow | 1 | NS | 16424 | Cable Htr 240V 48W (1/pkg) | 1 pkg |