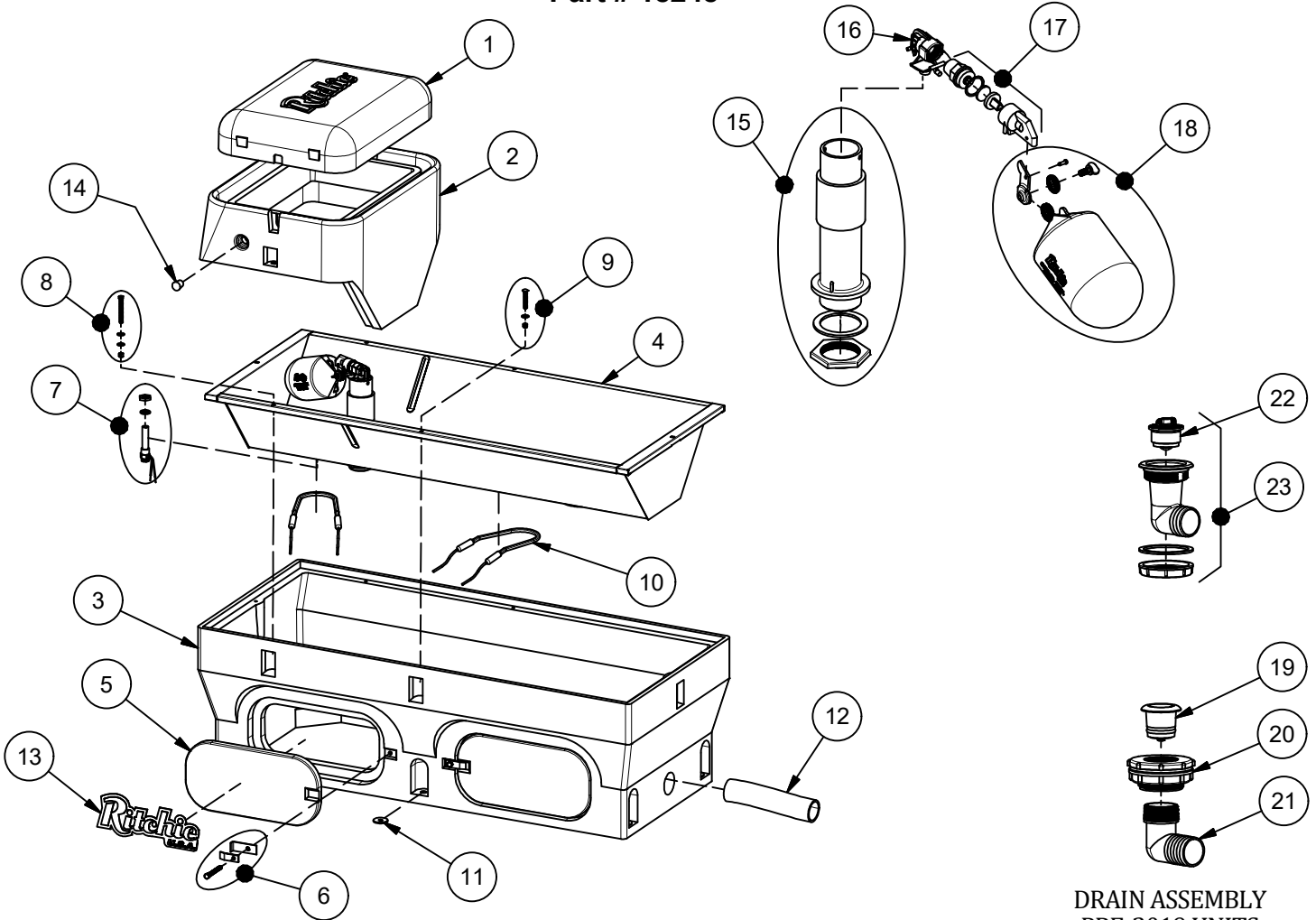


# CattleMaster 480

Part # 18248



DRAIN ASSEMBLY  
PRE-2019 UNITS

| Item | Part # | Description                     | Qty    | Item | Part # | Description                  | Qty    |
|------|--------|---------------------------------|--------|------|--------|------------------------------|--------|
| 1    | 18428  | CM Cover                        | 1      | 15   | 18181  | CM Standpipe pkg             | 1 pkg  |
| 2    | 18349  | CM Frame pkg                    | 1 pkg  | 16   | 11514  | Valve Bracket 3/4" pkg       | 1 pkg  |
|      | 18350  | CM Cover & Frame pkg            | 1 pkg  | 17   | 15377  | Green Male Valve 3/4" pkg    | 1 pkg  |
| 3    | 18250  | CM 480 Casing                   | 1      | 18   | 18314  | Float with Hardware pkg      | 1 pkg  |
| 4    | 16780  | CM 480 Trough pkg               | 1 pkg  |      | 18313  | Hardware for Float pkg       | 1 pkg  |
| 5    | 16621  | Access Panel 6"x14"             | 2      | 19   | 18338  | CM Drain Plug pkg            | 1 pkg  |
| 6    | 18147  | Access Panel Hardware pkg       | 2 pkgs | 20   | 17679  | CM Bulkhead fitting 2"       | 1      |
| 7    | 16534  | Fenwal Thermostat SS pkg        | 1 pkg  | 21   | 17678  | Drain Elbow Fitting          | 1      |
|      | 18320  | O-Ring Fenwal (6/pkg)           | 1 pkg  | 22   | 18849  | Ritchie 2" Plug pkg          | 1 pkg  |
|      | 18074  | Nut Brass Fenwal (6/pkg)        | 1 pkg  | 23   | 18852  | CM Drain Assembly w/Plug     | 1 pkg  |
| 8    | 18266  | Frame Bolt & Wshr SS(3/pkg)     | 1 pkg  | NS   | 12583  | Valve Supply Line w/Bracket  | 1 pkg  |
| 9    | 18265  | Trough Bolt & Nut SS (5/pkg)    | 1 pkg  | NS   | 13830  | Cable Htr 120V 48W (1/pkg)   | 1 pkg  |
| 10   | 11419  | Heater 120V 250W (1/pkg)        | 2 pkgs | NS   | 18329  | CM 480 Accessory pkg         | 1 pkg  |
| 11   | 18318  | Bolt Down Washer (4/pkg)        | 2 pkgs | NS   | 14866  | Seal Foam 1/2"x3/4"x10' Roll | 2      |
| 12   | 17677  | Drain Tube 10"                  | 1      |      | 18251  | CM 480 240V                  |        |
| 13   | 18653  | Ritchie Decal 12" (1/pkg)       | 1 pkg  | NS   | 11403  | Heater 240V 300W (1/pkg)     | 2 pkgs |
| 14   | 18633  | Plug #3 - Water Channel (2/pkg) | 1 pkg  | NS   | 16424  | Cable Htr 240V 48W (1/pkg)   | 1 pkg  |