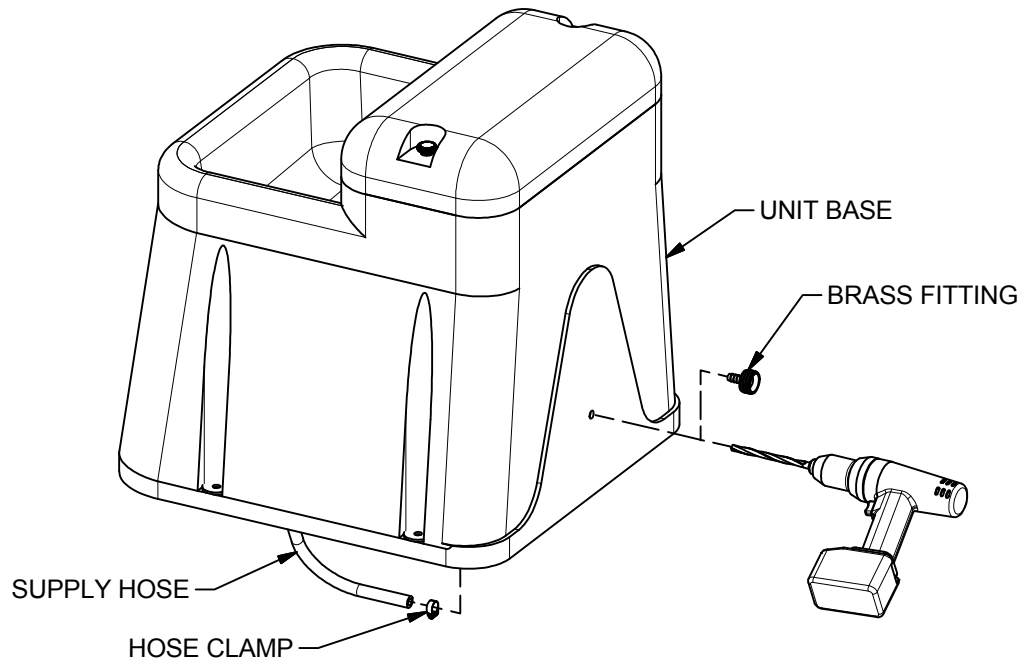


GARDEN HOSE HOOK UP INSTALLATION INSTRUCTIONS

GENESIS SERIES



18799 - 3/8" Hose (G-1, G-2)

TOOLS NEEDED:

- 7/16" DRILL BIT
- HAND HELD DRILL
- REGULAR SCREWDRIVER

18696 - 5/8" Hose (GC-2)

TOOLS NEEDED:

- 11/16" DRILL BIT
- HAND HELD DRILL
- REGULAR SCREWDRIVER

DIRECTIONS:

1. DETERMINE THE BEST HOSE ACCESS LOCATION FOR YOUR APPLICATION.

NOTE: BE SURE TO PLACE GARDEN HOSE OUT OF REACH OF ANIMALS.

2. DRILL A HOLE IN THE PLASTIC BASE.

3. PLACE THE BRASS HOSE FITTING BARB THROUGH THE DRILLED HOLE.

3. PLACE HOSE CLAMP OVER HOSE AND PRESS HOSE ONTO BRASS BARB.

4. SECURE HOSE TO BARB WITH HOSE CLAMP.

5. ATTACH GARDEN HOSE AND CHECK FOR LEAKS.