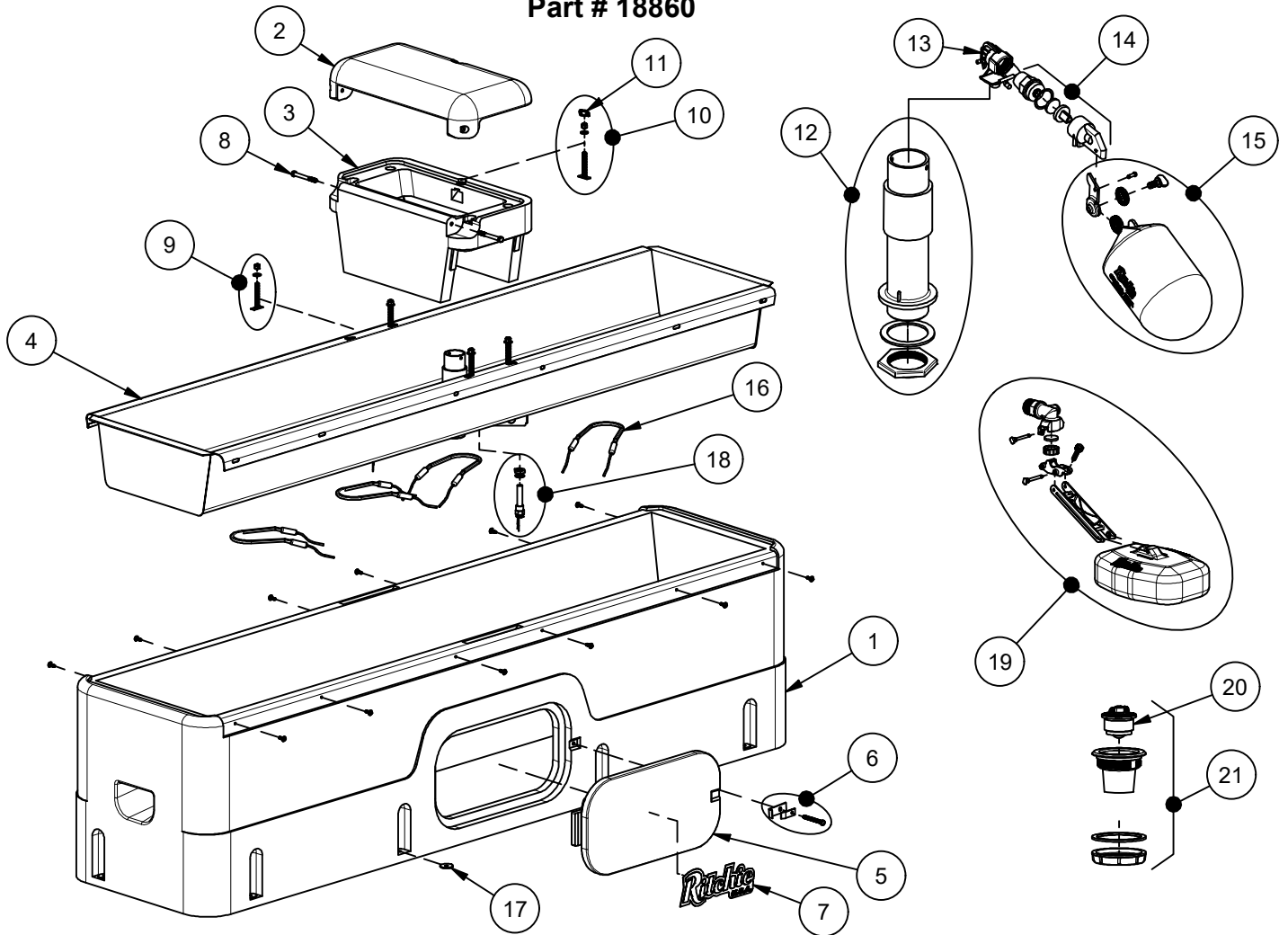


OmniMaster 8

Part # 18860



Item	Part #	Description	Qty	Item	Part #	Description	Qty
1	18851	OM 8 Casing	1	18	16534	Fenwal Thermostat SS pkg	1 pkg
2	18871	OM 8 Cover	1		18320	O-Ring Fenwal (6/pkg)	1 pkg
3	18868	OM 8 Frame	1		18074	Nut Brass Fenwal (6/pkg)	1 pkg
4	18872	OM 8 Trough Complete	1	19	18832	HP 3/4" Valve Assembly	1 pkg
5	16562	Access Panel 10" x 20"	1	20	18849	Ritchie 2" Plug Package	1 pkg
6	18147	Access Panel Hardware Pkg	1	21	18904	OM Drain Assembly w/Plug	1 pkg
7	18653	Ritchie Decal 12" (1/pkg)	1 pkg	NS	18470	Drain Plug Ritchie 3" (Pre-2023)	2
8	18452	Bolt 3/8" x 3" SS (2/pkg)	1 pkg	NS	14866	Seal Foam 1/2"x3/4"x10' Roll	2
9	18854	OM 8 Frame Screws (2/pkg)	1 pkg	NS	15931	Hose Clamp SS (5/pkg)	1 pkg
10	18448	T-Bolt w/Wingnut 3/8" (2/pkg)	2 pkg	NS	18614	Adapter 3/4" x 5/8" HB	1 pkg
11	18451	Wing Nut 3/8" Nylon (4/pkg)	1 pkg	NS	18863	OM 8 Accessory pkg	1 pkg
12	18181	CM Standpipe Pkg	1 pkg	NS	13830	Cable Htr 120V 48W (1/pkg)	1 pkg
13	11514	Valve Bracket 3/4"	1 pkg				
14	15377	Green Male Valve 3/4" pkg	1 pkg		18861	OmniMaster 8 240V	
15	18314	Float with Hardware pkg	1 pkg	NS	11403	Heater 240V 300W (1/pkg)	3 pkgs
16	11419	Heater 120V 250W (1/pkg)	4 pkgs	NS	16424	Cable Htr 240V 48W (1/pkg)	1 pkg
17	18318	Bolt Down Washer (4/pkg)	2 pkgs				