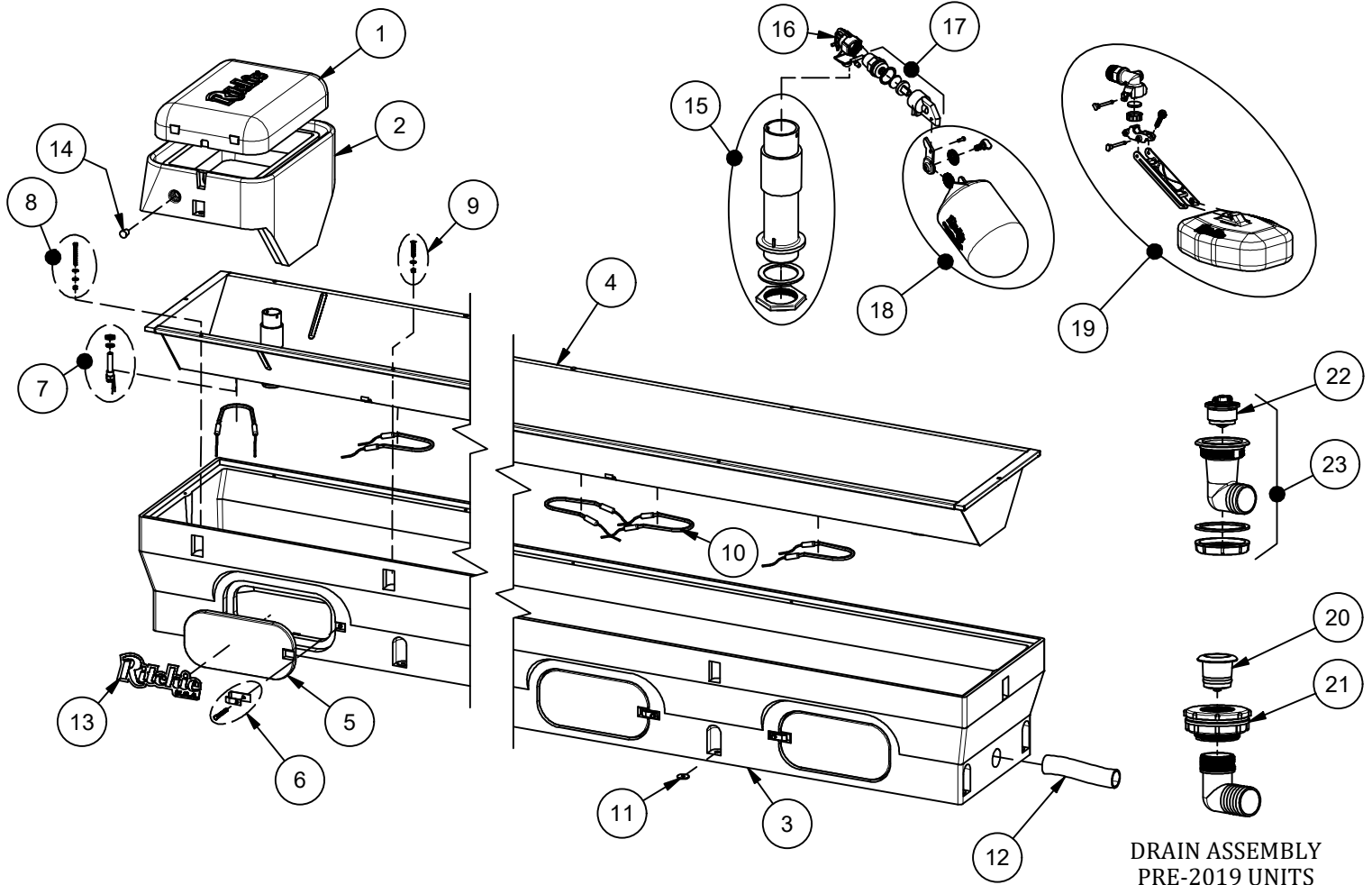


# CattleMaster 1440

Part # 18252



DRAIN ASSEMBLY  
PRE-2019 UNITS

Item	Part #	Description	Qty	Item	Part #	Description	Qty
1	18428	CM Cover	1	15	18181	CM Standpipe pkg	1 pkg
2	18349	CM Frame pkg	1 pkg	16	11514	Valve Bracket 3/4" pkg	1 pkg
	18350	CM Cover & Frame pkg	1 pkg	17	15377	Green Male Valve 3/4" pkg	1 pkg
3	18659	CM 1440 Casing	1	18	18314	Float with Hardware pkg	1 pkg
4	16791	CM 1440 Trough pkg	1 pkg	19	18832	HP 3/4" Valve Assembly	1 pkg
5	16621	Access Panel 6"x14"	3	20	18338	CM Drain Plug pkg	1 pkg
6	18147	Access Panel Hardware pkg	3 pkgs	21	17679	CM Bulkhead fitting 2"	1
7	16534	Fenwal Thermostat SS pkg	1 pkg	22	18849	Ritchie 2" Plug pkg	1 pkg
	18320	O-Ring Fenwal (6/pkg)	1 pkg	23	18852	CM Drain Assembly w/Plug	1 pkg
	18074	Nut Brass Fenwal (6/pkg)	1 pkg	NS	12583	Valve Supply Line w/Bracket	1 pkg
8	18266	Frame Bolt & Wshr SS(3/pkg)	1 pkg	NS	13830	Cable Htr 120V 48W (1/pkg)	1 pkg
9	18265	Trough Bolt & Nut SS (5/pkg)	2 pkgs	NS	18898	CM Accessory pkg	1 pkg
10	11419	Heater 120V 250W (1/pkg)	5 pkgs	NS	14866	Seal Foam 1/2"x3/4"x10' Roll	3
11	18318	Bolt Down Washer (4/pkg)	3 pkgs				
12	17677	Drain Tube 10"	1		18255	CM 1440 240V	
13	18653	Ritchie Decal 12" (1/pkg)	1 pkg	NS	11403	Heater 240V 300W (1/pkg)	3 pkgs
14	18633	Plug #3 - Water Channel (2/pkg)	1 pkg	NS	16424	Cable Htr 240V 48W (1/pkg)	1 pkg