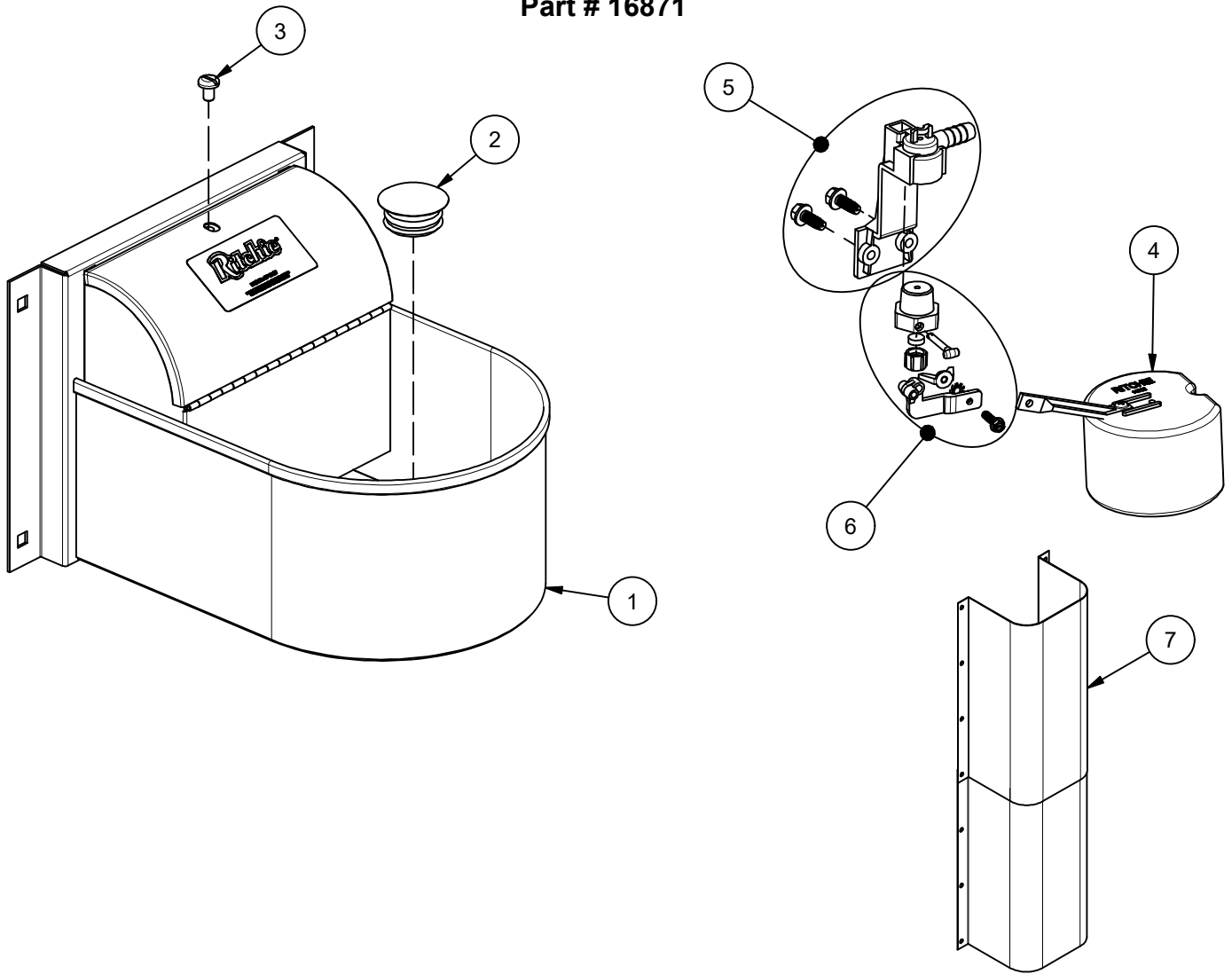


# StallFount

Part # 16871



Item	Part #	Description	Qty	Item	Part #	Description	Qty
1	16877	SF Trough Complete	1	6	13597	Green Valve 1/2" pkg	1 pkg
2	18876	SF Trough Plug	1	7	18092	Shroud Set Optional.	1 pkg
3	18080	SF Cover Screw (6/pkg)	1 pkg	NS	15931	Hose Clamp SS (5/pkg)	1 pkg
4	13613	Float with Short Arm pkg	1 pkg	NS	18228	SF Accessory pkg	1 pkg
5	11515	Valve Bracket w/ screw pkg	1 pkg				

## Installation Variations

A stainless steel shroud may be purchased to protect the waterline between the floor and the Ritchie Stall Fount. Part number 18092 includes two sections of shroud, 19 <sup>3</sup>/<sub>4</sub> inches long. This part is not required for the non-electric Stall Fount.

**Installing the shroud** - After the plumbing connections are made, install the optional shroud using 1/4" lag screws or bolts. When more than one section of shroud is used, the total length of the shroud can be adjusted in 6" increments by removing insulation as needed and moving top shroud down to align next set of holes.