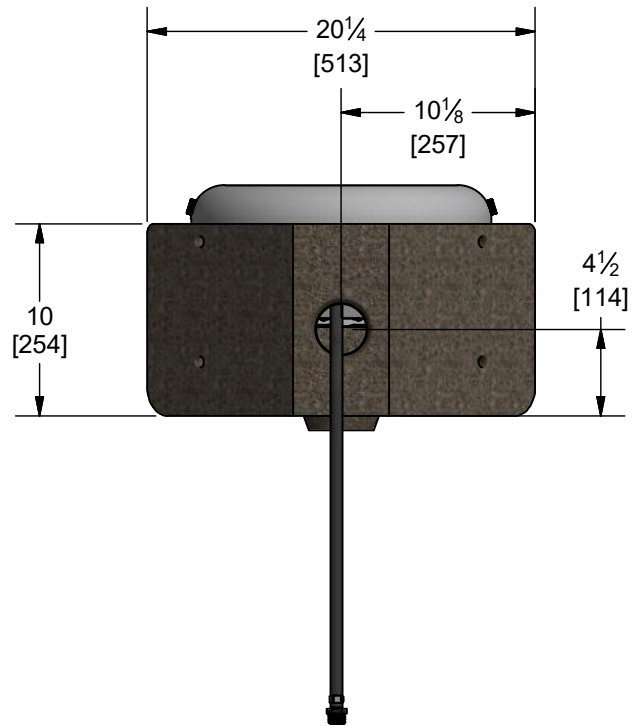
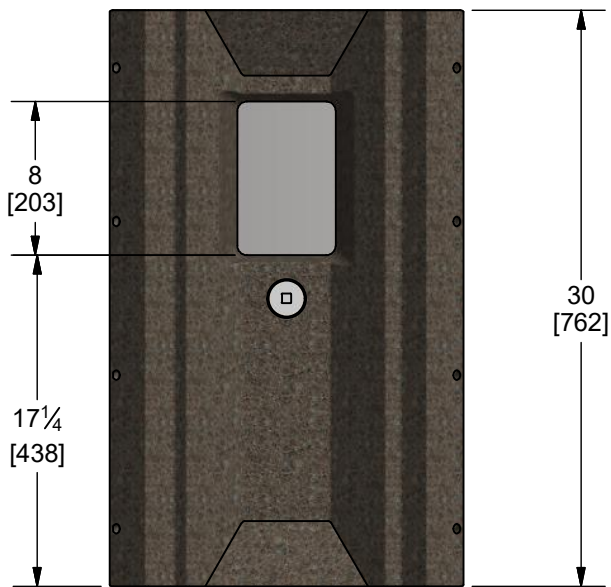


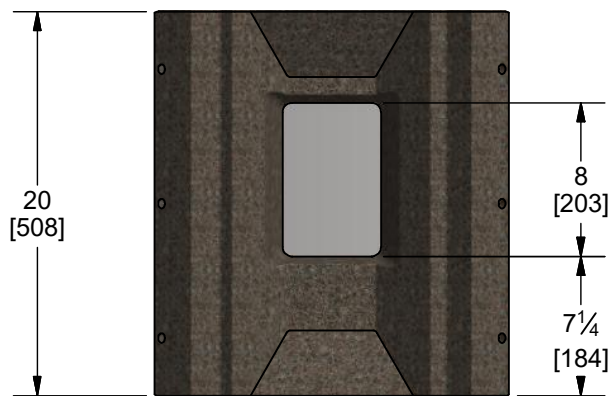
STALLFOUNT PLUMBING VIEW OVERALL DIMENSIONS



30" SHROUD



20" SHROUD



NOTE:

IT IS NOT RECOMMENDED TO USE THIS DRAWING FOR LOCATING WALL ANCHORS.
IT IS RECOMMENDED TO WAIT UNTIL UNIT IS AVAILABLE FOR MEASUREMENT.